



QUATTRO^{MP}



Minelab Quattro MP

Quattro MP
Quattro MP

3
5
6
8
9
10
12
13
16
19
23
25
26

Quattro MP

Minelab Quattro MP

QUATTRO MP,

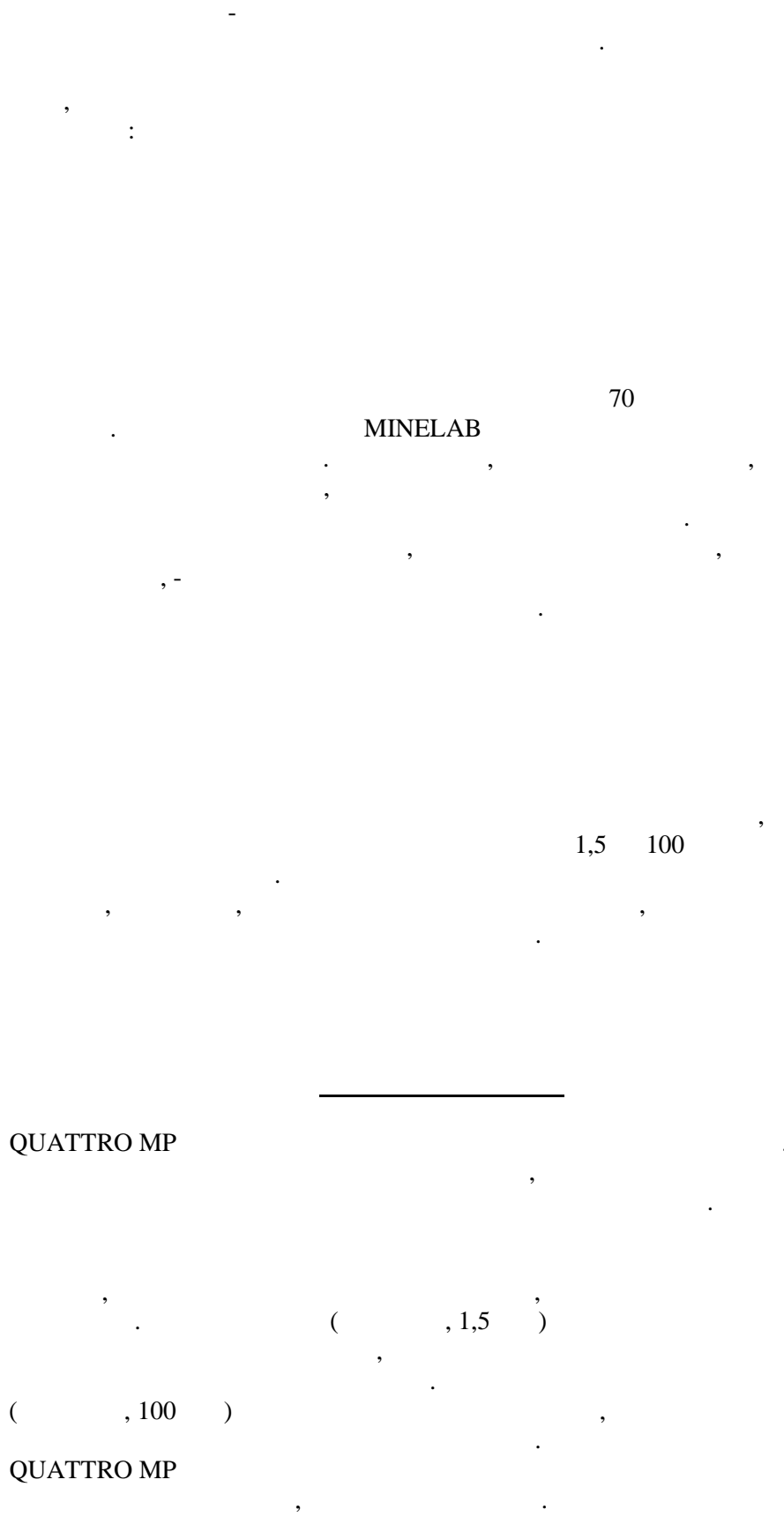
Minelab QUATTRO MP

QUATTRO MP

Full Band Spectrum (FBS)

QUATTRO MP

MINELAB



QUATTRO MP

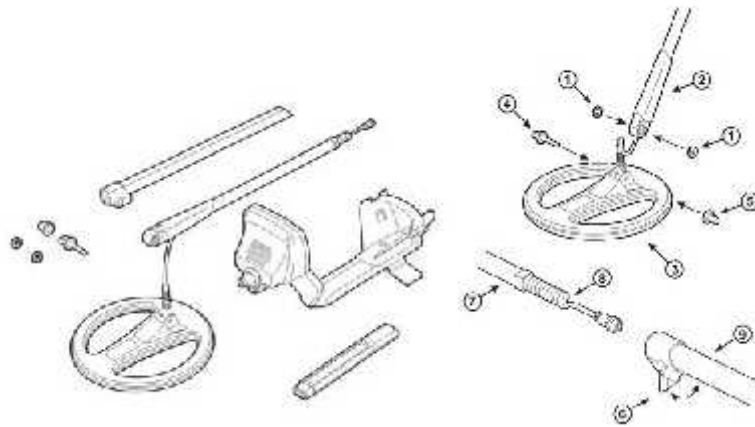
(, 100)

QUATTRO MP

(, 1,5)

Minelab Quattro MP

1 -



(1)

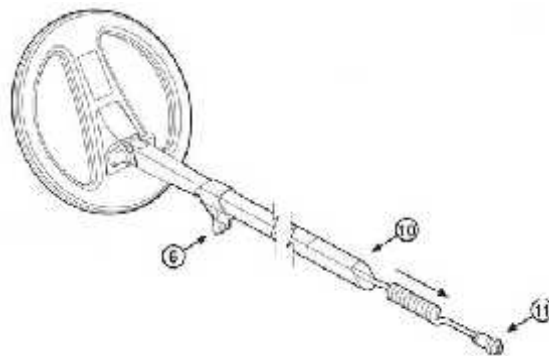
(2).

(3)

(4)

(5).

2 -



(6)

(7).

(8)

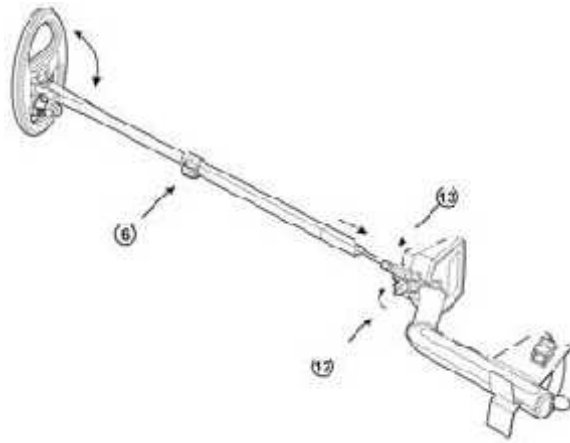
(9).

(10)

(, 8-)

(100)

3-



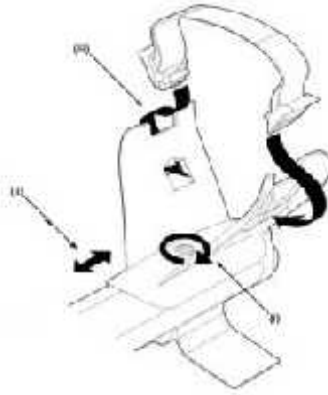
(12).

(13).

(12).

(6).

4 -



- (i) () :
- (ii) .
- (iii).

«Double D» QUATTRO MP 10,5
Double D . Double D ,

10,5

- 1.
- 2.
- 3.
- 4.
- 5.

6. (100)
7. (.7)



Minelab QUATTRO MP
NiMH

NiMH 1600 mAh

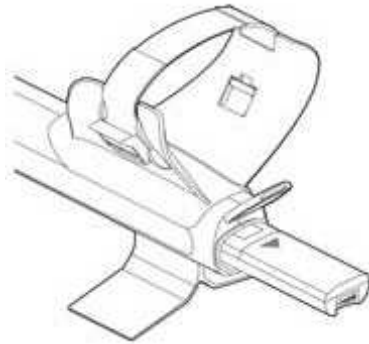
12,5 , NiMH 1800 mAh

14

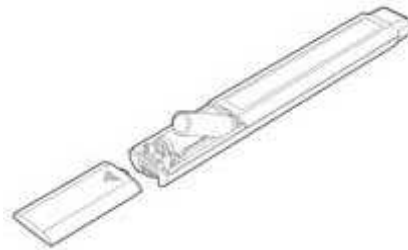
1,5V AA

NiCd

14
, NiMH



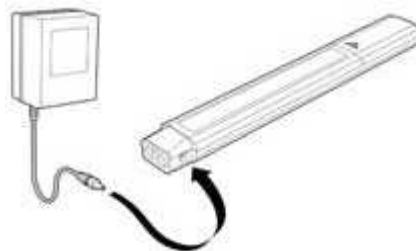
- 1.
- 2.
- 3.
- 4.



- 1.
2. (AA)
- 3.

8

NiMH



- 1.
- 2.

18

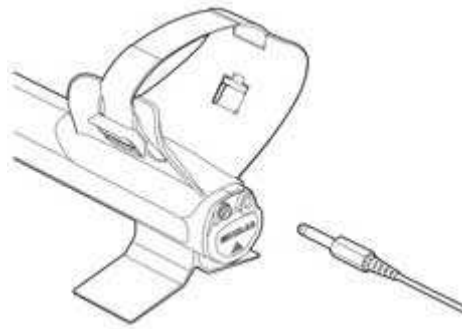


- 1.
- 2.
- 3.

18



«FLAT BATTERY SHUTDOWN»



32

POWER.

COIN ().

NOISE CANCEL

20

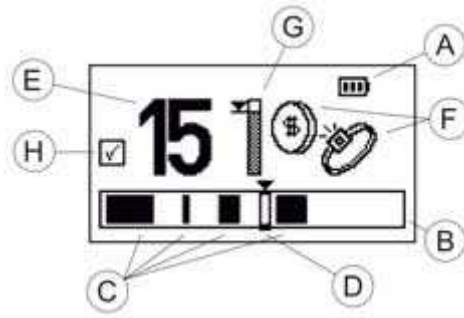


1. /
- 2.
- 3.
- a. Coin ()
- b. Coin & Jewelry ()
- c. Relic Mode ()
- d. All Metal Mode ()
4. Menu/Select (/)
5. /
6. /
- 7.
- 8.

/ (On/Off)

1. COIN ().

POWER 5 ,
Factory Preset.



- A.
- B.
- C.
- D.
- E.
- F.
- G.
- H.

. ().

,
 () ().
 () ,

, (D) ,

, (E)

+40.

.
:
(, . .),

9.1.2.).

:
(

, Quattro

MP

(F).

, , .
:
« » «
».

(G),

12 .

6 .

OVERLOAD (,).

OVERLOAD (,).

- Coin (3a)
- Coin/Jewelry (3b) - /
- Relic (3c)
- All metal (3d)

Quattro MP

« ».

POWER (1),
b; c; d),

NOISE CANCEL (8)

(3a;

” ”

Quattro MP

« »

(,)

(, ,)

+6 +8.

10 +2

Menu/Select +/- (/)
Menu/Select (4) (5)

Accept/Reject (/)
Accept/Reject (6) 51

Pinpoint (

Pinpoint (7)

Pinpoint , Pinpoint
:

Pinpoint.

90

Pinpoint

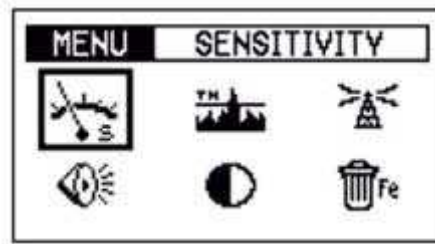
Quattro MP : Pinpoint
Pinpoint,

Pinpoint.

Pinpoint

Noise Cancel (

Noise Cancel Quattro MP,



Quattro MP :

()

(),

(a) MENU/SELECT (4) ,

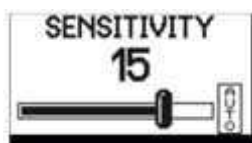
(b) - +
(5)

(c) MENU/SELECT,

(d) +

(e) MENU/SELECT,

:
, Detect Mode,



0 20.



20.

0 20,



(),

12.

0 40.



CANCEL

. NOISE

NOISE CANCEL

NOISE CANCEL

CANCEL

. NOISE

NOISE CANCEL

NOISE CANCEL





LOW ()

HIGH ()

« HIGH »
HIGH ()

HIGH

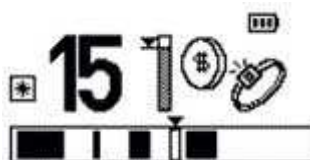
HIGH

ACCEPT/REJECT.

ACCEPT/REJECT.

HIGH,

LOW.



()

+40.

-10 -1.
0 +40.

-10

a. 1 -

b. ACCEPT/REJECT

c.

a. 2 - DETECT + -

b. ACCEPT/REJECT

ACCEPT/REJECT

3 -

A.

B. Accept/Reject,

+

()

:

Accept/Reject
TRASH DENSITY LOW.
HIGH,

8.6)

Accept/Reject . (

a.

b.

9.1.2.

c.

(3)

SAVED.

d.

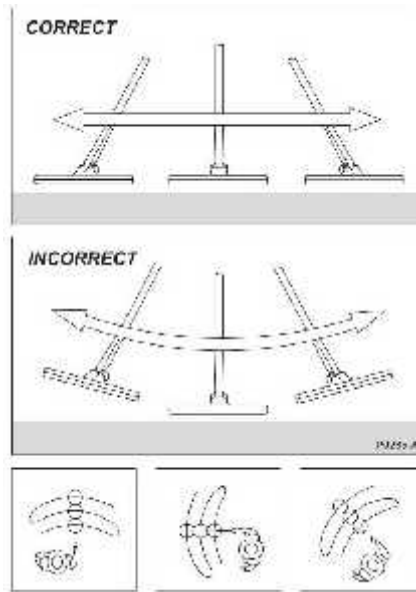
().

COIN COIN/JEWELRY

METAL,

RELIC ALL

Quattro MP



Minelab QUATTRO MP

COIN COIN/JEWELRY

METAL,

RELIC ALL